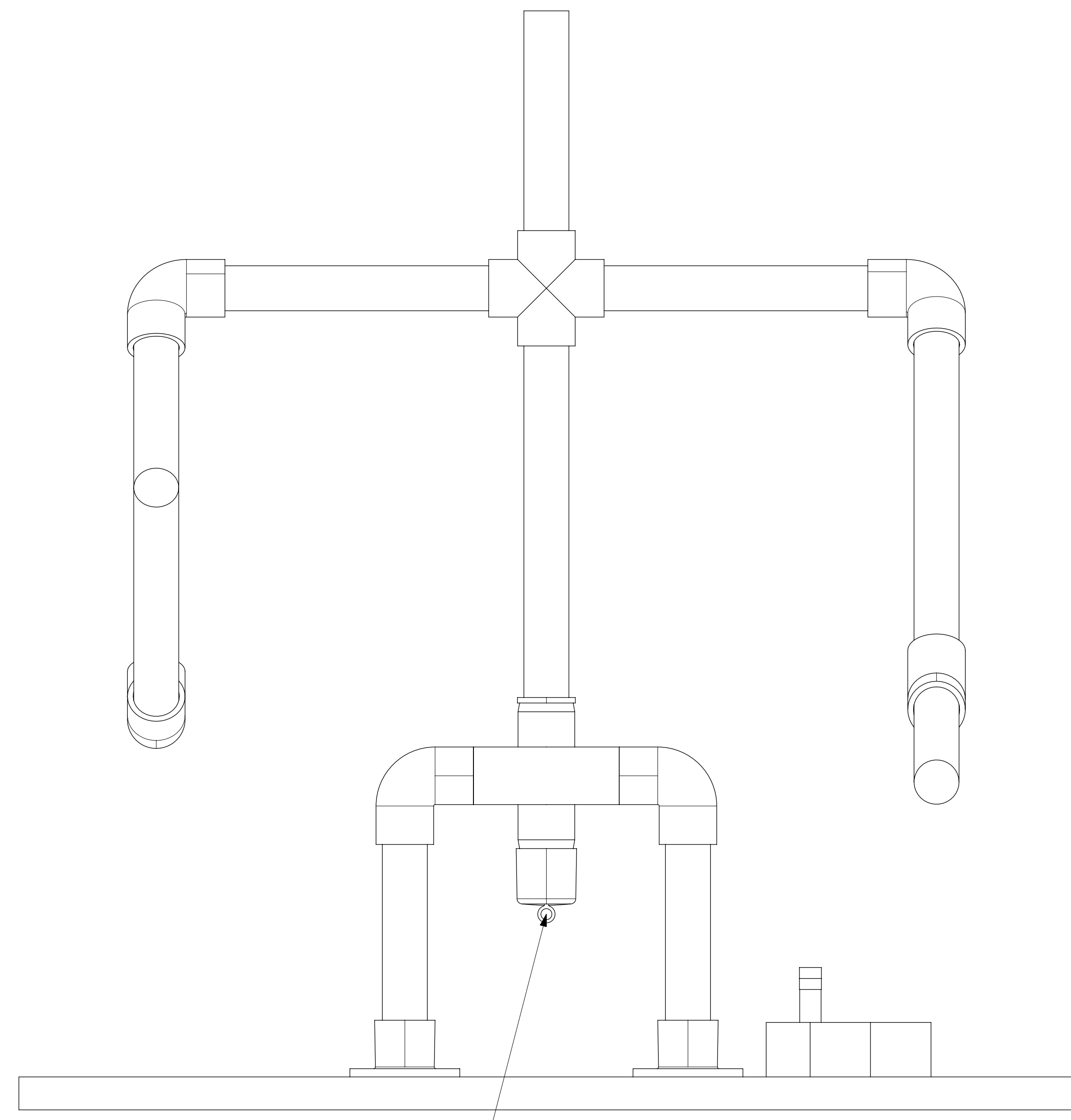
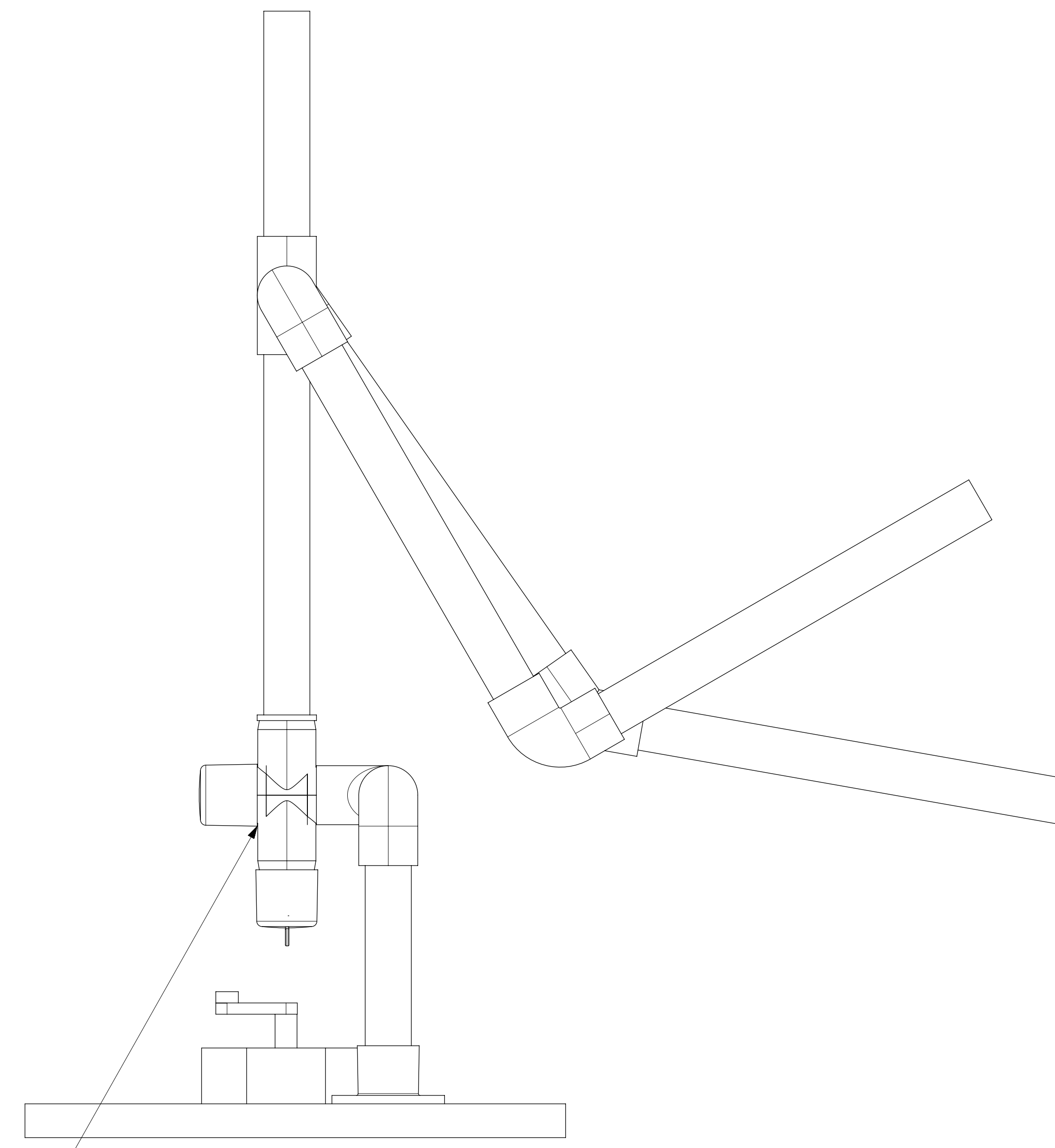
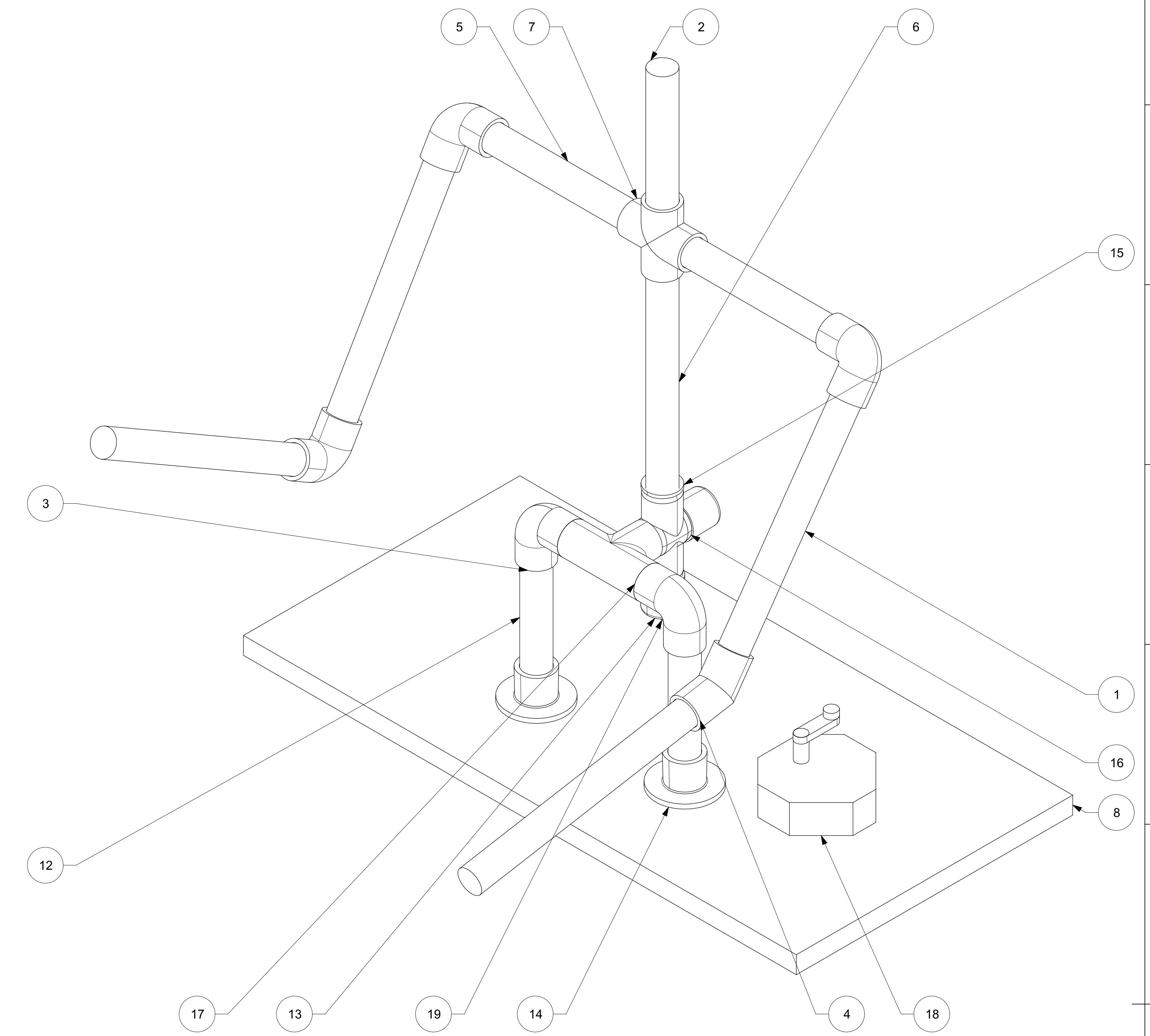
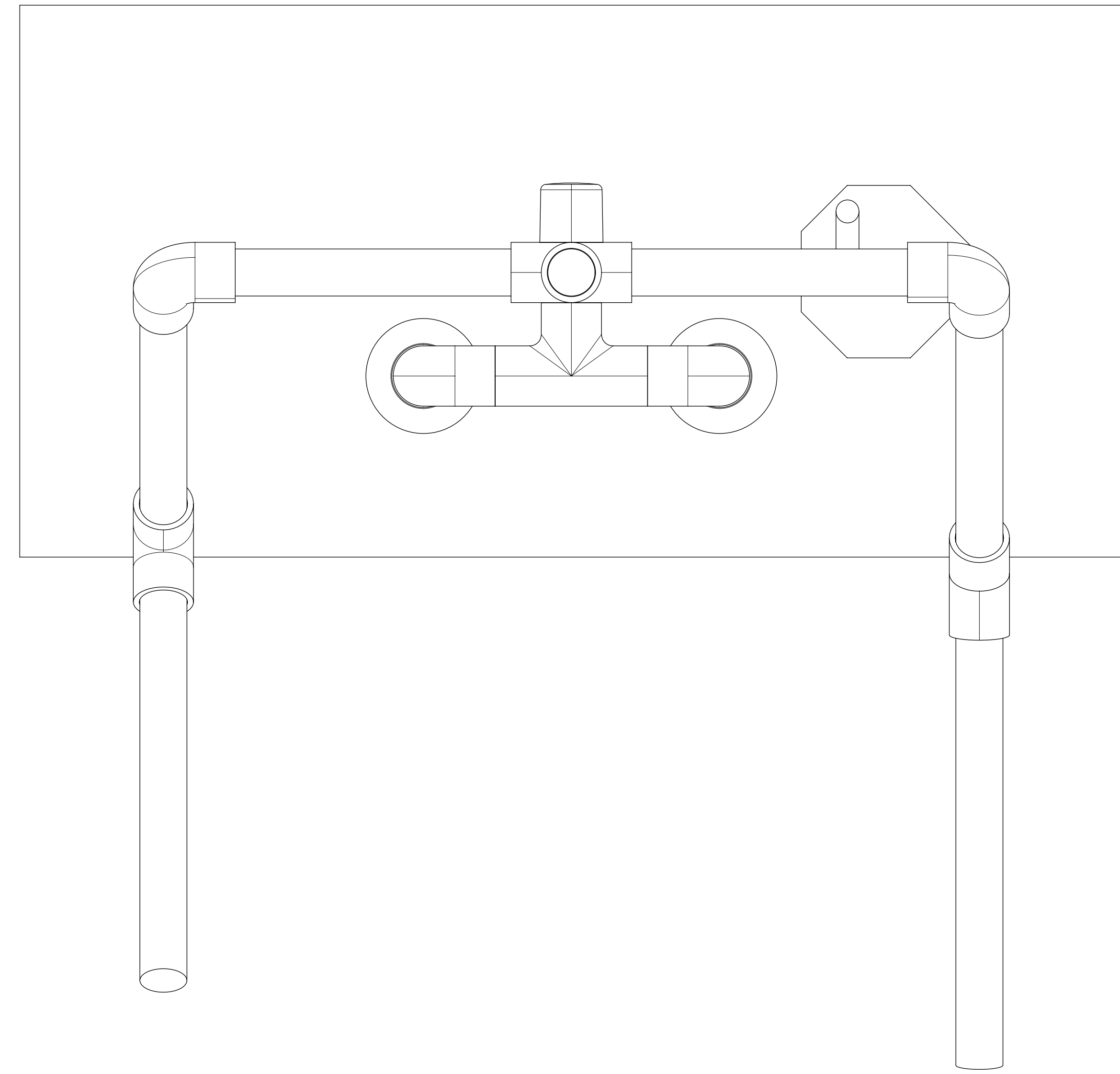


LEFT/RIGHT SWAYING PROP



Note: Do Not Press these three fitting together. Leave a small gap, so, Slip Cross can freely move.

Note: The link made in between the eyebolt and the motor was just a piece of wire. I twisted the wire together to make it double. I then wrapped the one end through the eyebolt. The other end was wrapped under the bolt of the motor arm.

GROCERY LIST:

ITEM	DESCRIPTION	PVC "	SUPPLIER	QTY
19	EYEBOLT	N/A	Hardware Store	1
18	MOTOR ANIMATED BUCK	N/A	Kindys.com	1
17	PVC TEE	1	Hardware Store	1
16	PVC SLIP CROSS FITTING	1	SpiderHillPropWorks.com	1
15	PVC REDUCER BUSHING SCHEDULE 40	1	Hardware Store	1
14	PVC UNIVERSAL MOUNTING BASE	1	SpiderHillPropWorks.com	2
13	PVC CAP SCHEDULE 40	1	Hardware Store	2
12	PVC 1X5.25	1	Hardware Store	2
11	PVC 1X2	1	Hardware Store	2
10	PVC 1X3.5	1	Hardware Store	1
9	PVC 1X1.5	1	Hardware Store	1
8	WOODBASE_1FTX2FTX11IN	N/A	Hardware Store	1
7	PVC CROSS TEE, .75 INCH, SCHEDULE 40_STEP	3/4	Hardware Store	1
6	PVC .75X10	3/4	Hardware Store	1
5	PVC .75X8	3/4	Hardware Store	2
4	PVC, ELBOW, 45-DEGREE, .75 INCH, SCHEDULE 40_STEP	3/4	Hardware Store	1
3	PVC ELBOW SCHEDULE 40	3/4	Hardware Store	5
2	PVC .75X6	3/4	Hardware Store	1
1	PVC .75X10.5	3/4	Hardware Store	4

DRAWING NUMBER:

RICARDO DEFENSE SYSTEMS, LLC VAN BUREN TOWNSHIP, MI USA

